

EPORT

Edge Port Module Block

Summary

The EPORT has eight external interrupt pins. Each pin may be configured individually as a low level-sensitive interrupt pin, an edge-detecting interrupt pin (rising edge, falling edge, or both), or a general-purpose I/O pin.

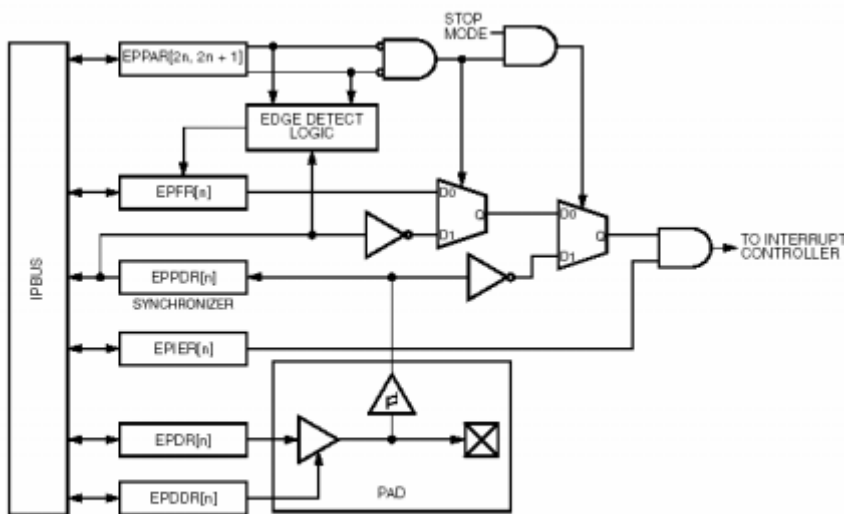


Figure 1-1 EPORT Block Diagram

Features

- Rising/falling edge select
- Low-level sensitive
- Ability for software generation of external interrupt event
- Interrupt pins configurable as general-purpose I/O

To obtain more information about the EPORT or other C*Core™ products, please contact the C*Core Technology Co., Ltd. by phone: 0512-68091377, email: support@china-core.com or web: <http://www.china-core.com>.

C*Core™ is a trade mark of C*Core Co., Ltd.